



AZUMA

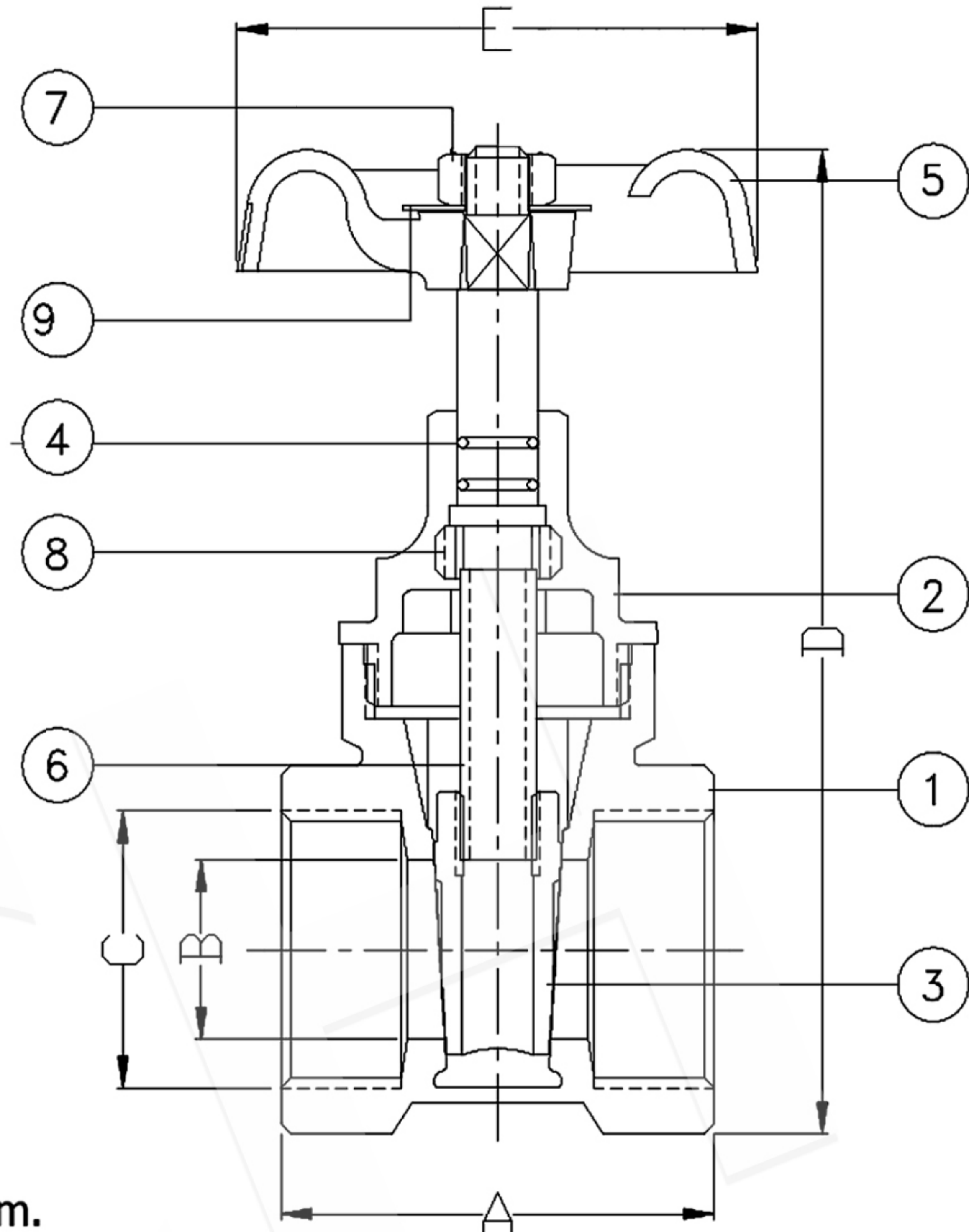
COCKS and VALVES

GATE VALVE

MODEL BG

ประตูน้ำ

NO.211



Dimension in mm.

SIZE	A	B	C	D	E
1/2"	37	13	PT1/2"	80	50
3/4"	45	18	PT3/4"	92	50
1"	50	23	PT1"	106	60
1-1/4"	55	28	PT1-1/4"	120	60
1-1/2"	58	34	PT1-1/2"	130	75
2"	66	45	PT2"	172	80
2-1/2"	76	56	PT2-1/2"	210	95
3"	80	70	PT3"	260	125
4"	106	86	PT4"	320	145

NO.	NAME	MATERIAL
1	Body	Brass
2	Bonnet	Brass
3	Disc	Brass
4	O-Ring	Rubber
5	Handle Wheel	Cast Iron with painting
6	Stem	Brass Rod
7	Nut	Steel
8	Ring Screw	Brass Rod
9	Name Plate	Aluminium